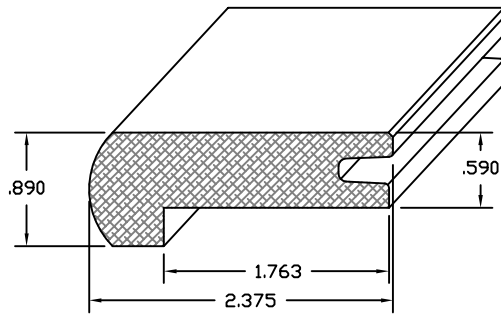
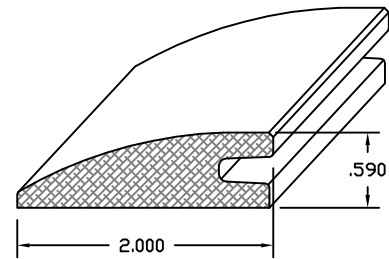


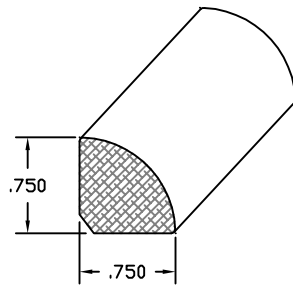
9/16" PROFILES



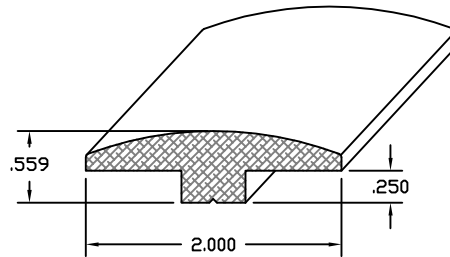
DWG # 715
STAIRNOSE



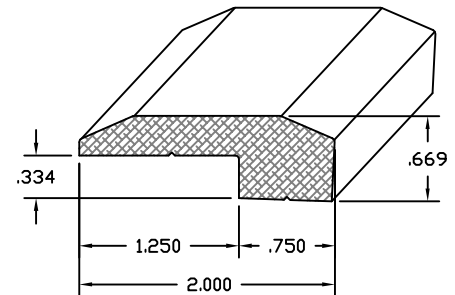
DWG # 716
REDUCER



DWG # 45
QUARTER ROUND



DWG # 473
T-MOLDING



DWG # 474
THRESHOLD